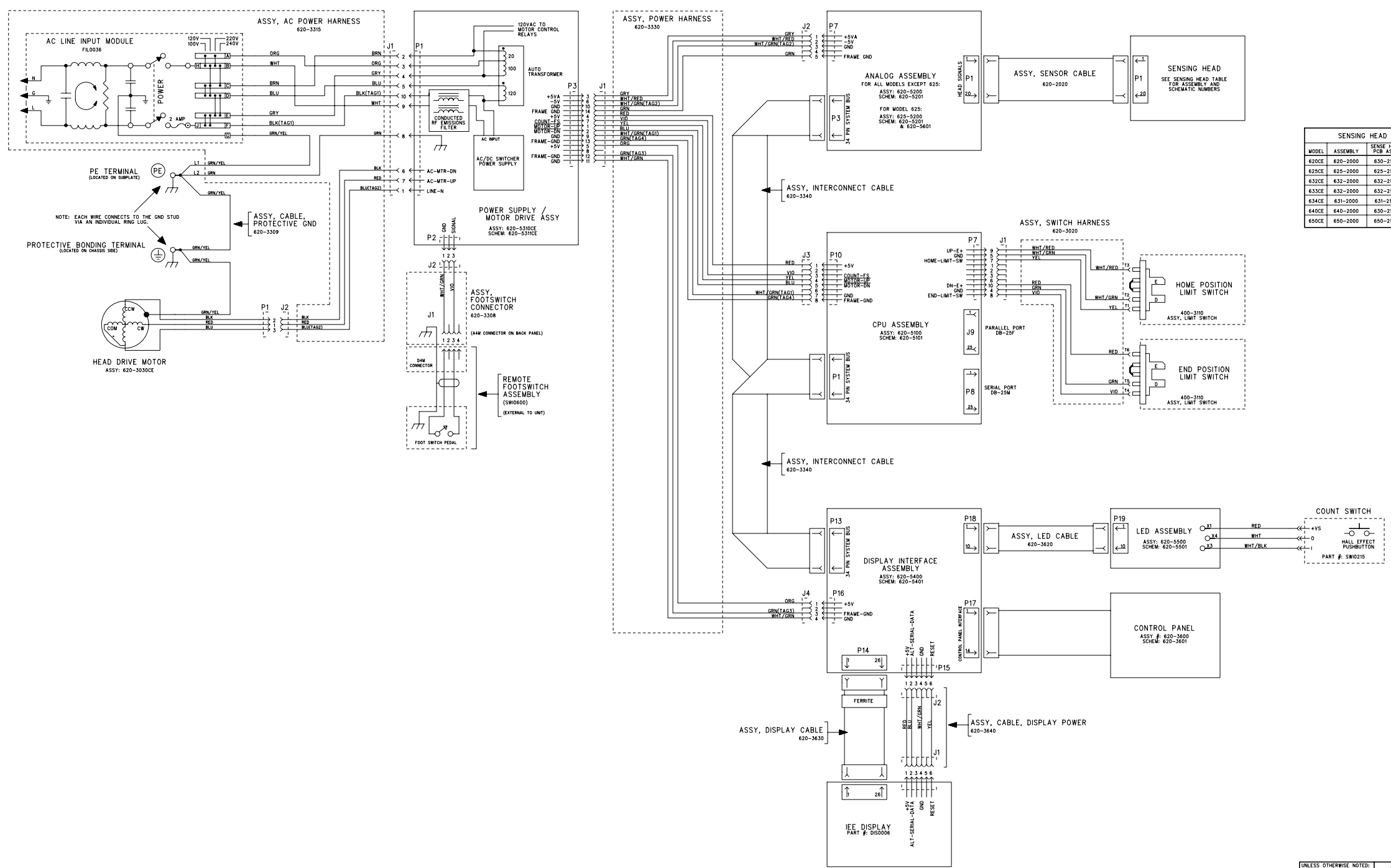
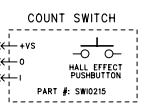


REV	ECO	DESCRIPTION	DATE
0	---	CREATED / RELEASED	07-23-97



SENSING HEAD TABLE

MODEL	ASSEMBLY	SENSE HEAD PCB ASSY	SENSE HEAD PCB SCHEM
620CE	620-2000	630-2100	630-2001
625CE	625-2000	625-2100	630-2001
632CE	632-2000	632-2100	630-2001
633CE	632-2000	632-2100	630-2001
634CE	631-2000	631-2100	630-2001
640CE	640-2000	630-2100	630-2001
650CE	650-2000	650-2100	630-2001



NOTE: THIS INFORMATION IS PROPRIETARY. IT WAS DEVELOPED AT THE PRIVATE EXPENSE OF SPARTANICS, ROLLING MEADOWS, ILLINOIS, USA. INFORMATION IS NOT TO BE USED FOR ANY OTHER PURPOSE EXCEPT FOR REQUIRED MAINTENANCE AND REPAIR OF SPARTANICS EQUIPMENT WITHOUT THE EXPRESS WRITTEN PERMISSION OF SPARTANICS, ROLLING MEADOWS, ILLINOIS, USA.

UNLESS OTHERWISE NOTED:
 ALL RESISTORS ARE SPECIFIED IN OHMS
 1/4 WATT 5% TOLERANCE
 ALL CAPACITORS ARE SPECIFIED IN UF

SPARTANICS
 3605 EDISON PL
 ROLLING MEADOWS, IL 60008

SCHEMATIC, SYSTEM WIRING

DRAWN BY: JMF DATE: 07-23-97
 CHECKED BY: DATE:

PART NAME: 620-3001CE-0
 DRAWING NO: 620-3001CE-0
 SHEET: 1 OF 1