

CHAPTER 14 SHIPPING

NOTE

The following information applies to North American customers. Foreign customers should contact their local service representative for shipping information.

Whenever you have to ship a faulty electronics package or set of sensing heads to Spartanics, you will receive a loaner electronics package or set of loaner sensing heads. Use the shipping containers from the loaner parts to ship the faulty parts to Spartanics.

Please return the loaner parts to Spartanics promptly after your original parts have been repaired and sent back to you.

Whenever the whole press has to be shipped, pack the press into its crate as follows:

1. Remove top panel screws as show in Figure 14 A.
2. Hook chain (rated at 2 tons or better) to eyebolt on top of press.
3. Move press onto crate base and secure in place with shipping nuts & bolts.
4. Nail foot switch in place as shown.
5. Reattach top panel.

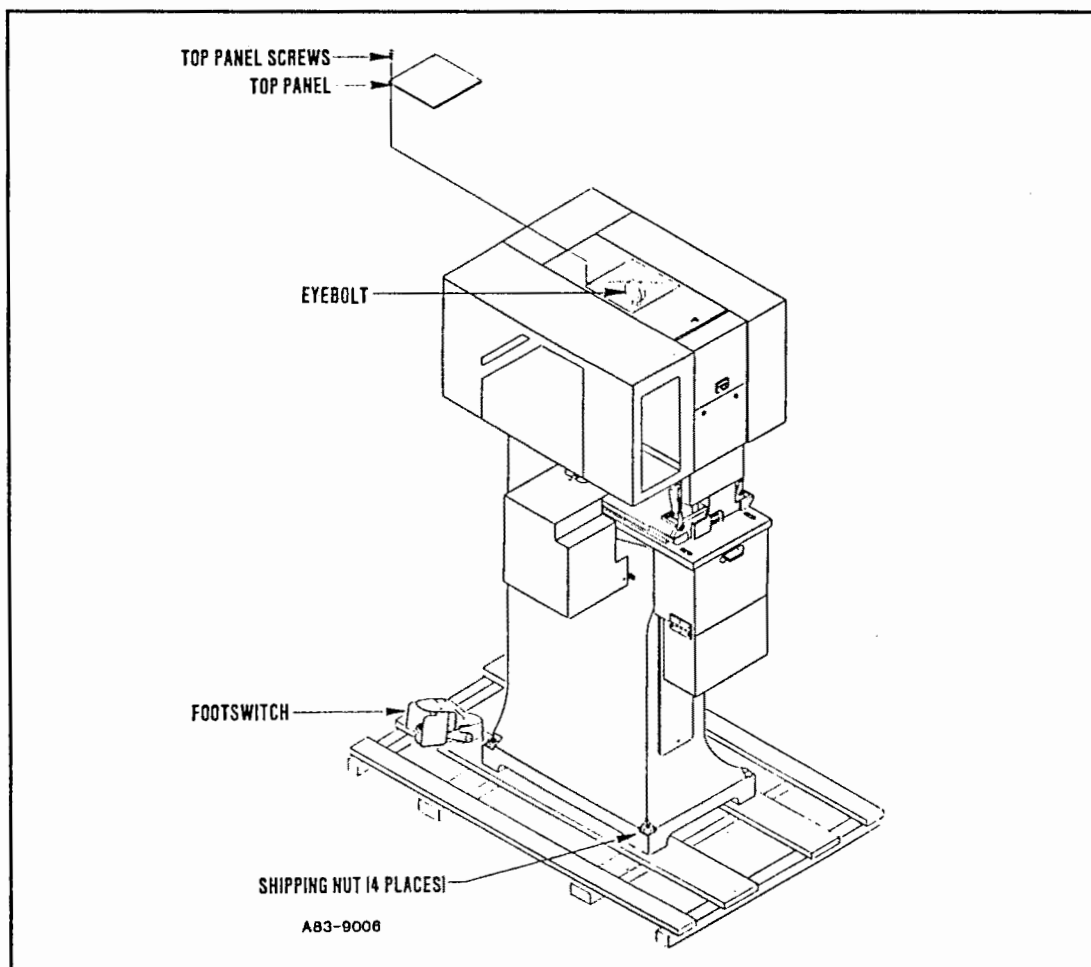


Figure 14 A

**CHAPTER 14
SHIPPING**

- 6. Remove the electronics package according to Steps 7-10 in Section 8.1.4.
- 7. Tape all loose cables to side of press.
- 8. Place electronics package and all accessories into accessories box.
- 9. Secure accessories box to crate base with steel bands as shown in Figure 14 B.

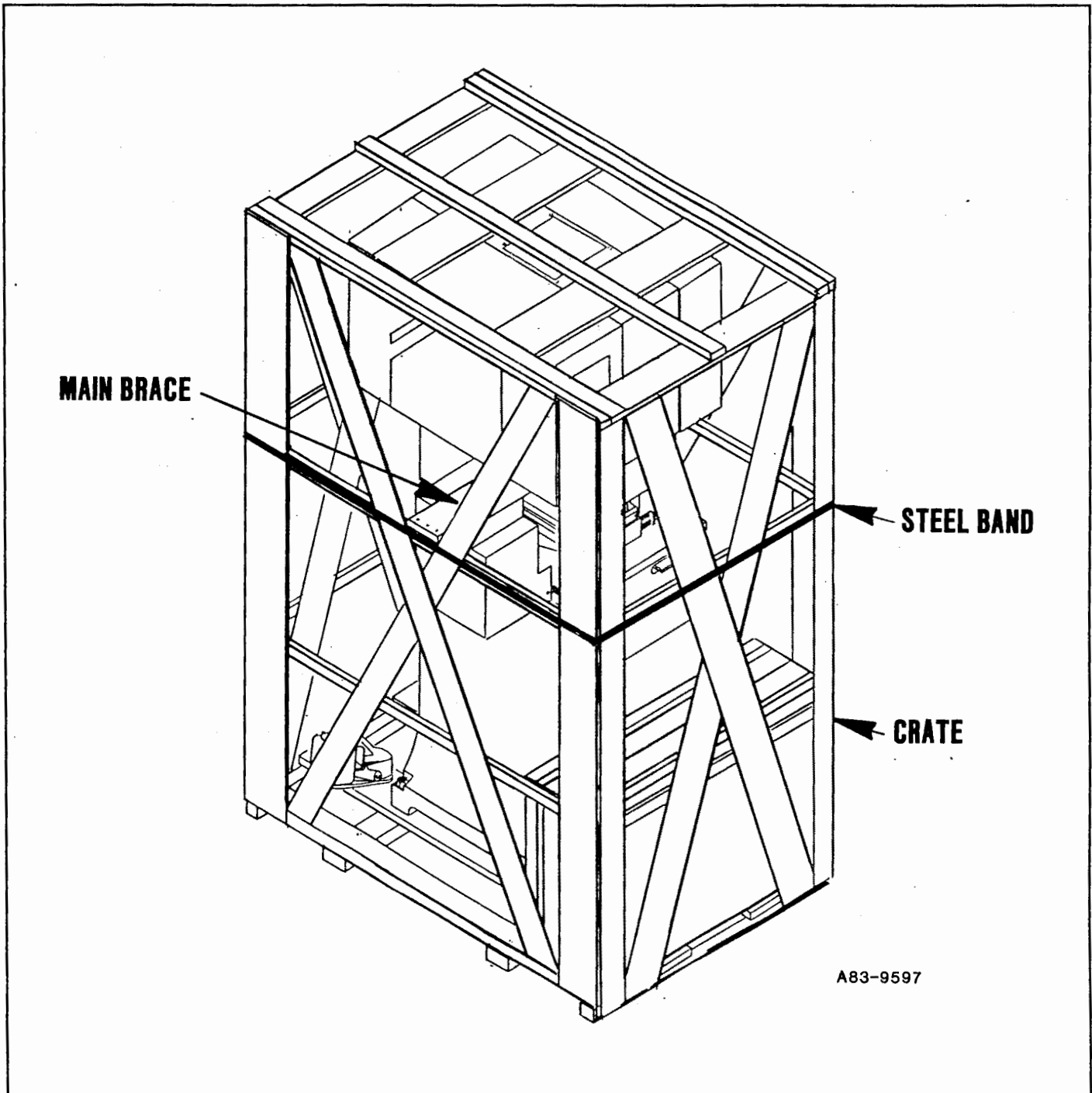


Figure 14 B

**CHAPTER 14
SHIPPING**

10. Place the crate over the press and nail the crate to its base. See Figure 14 C.

11. Nail the main brace to the crate as shown.

12. Reinforce the crate with a steel band in the position shown.

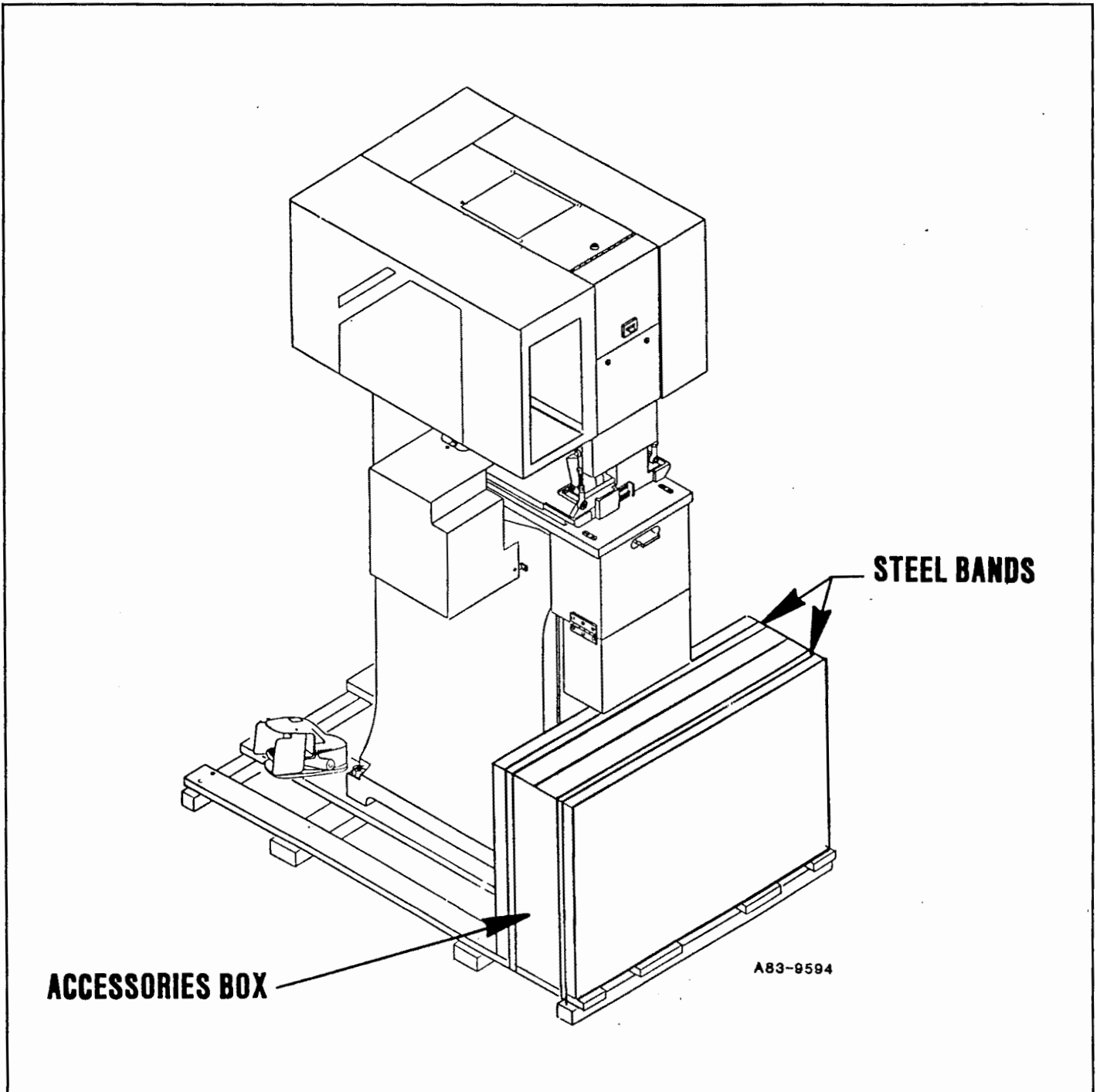


Figure 14 C