

**8.5 FOOT SWITCH TEST AND RE-
PLACEMENT**

Before testing the foot switch, make sure that the switch's cable is connected to the side of the press as shown in Figure 8.5 B of this section. If foot switch's cable is disconnected, connect it and recheck the press. Otherwise, test and (if necessary) replace the foot switch as follows:

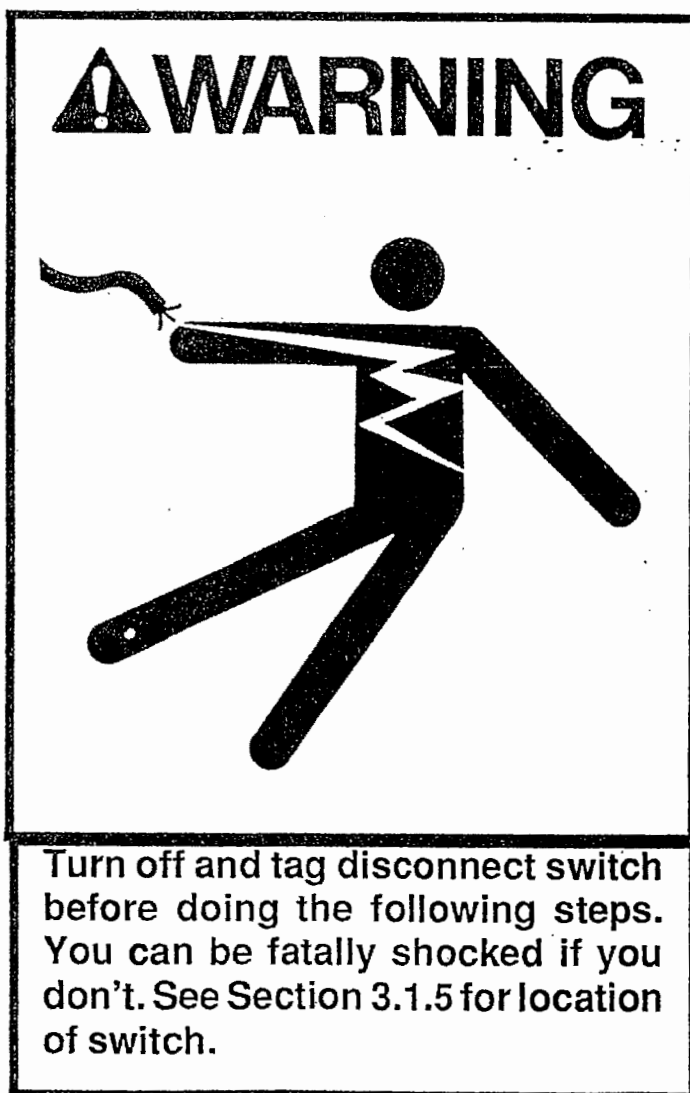
Tools Needed:

- > 5/64" hex wrench (Allen wrench)
- > volt/ohm meter

1. Turn disconnect switch to "OFF" position. See Section 3.1.5 for location of disconnect switch.

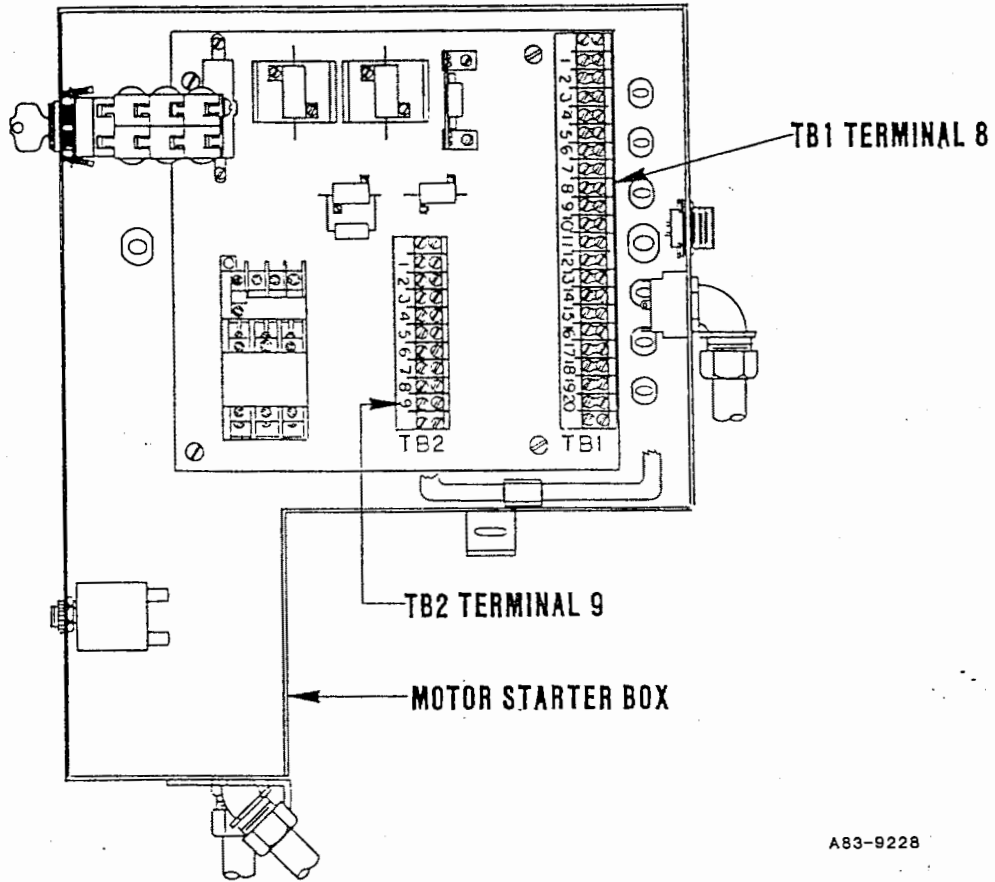
Note

Use Figure 4 of the Illustrated Parts List in Chapter 11 of this manual as an aid in testing the foot switch. When you see something like "Remove back panel (202)" in the following procedure, the number (202) refers to a picture of the back panel (and how the back panel is attached to the press) in Figure 4 of the Illustrated Parts List.



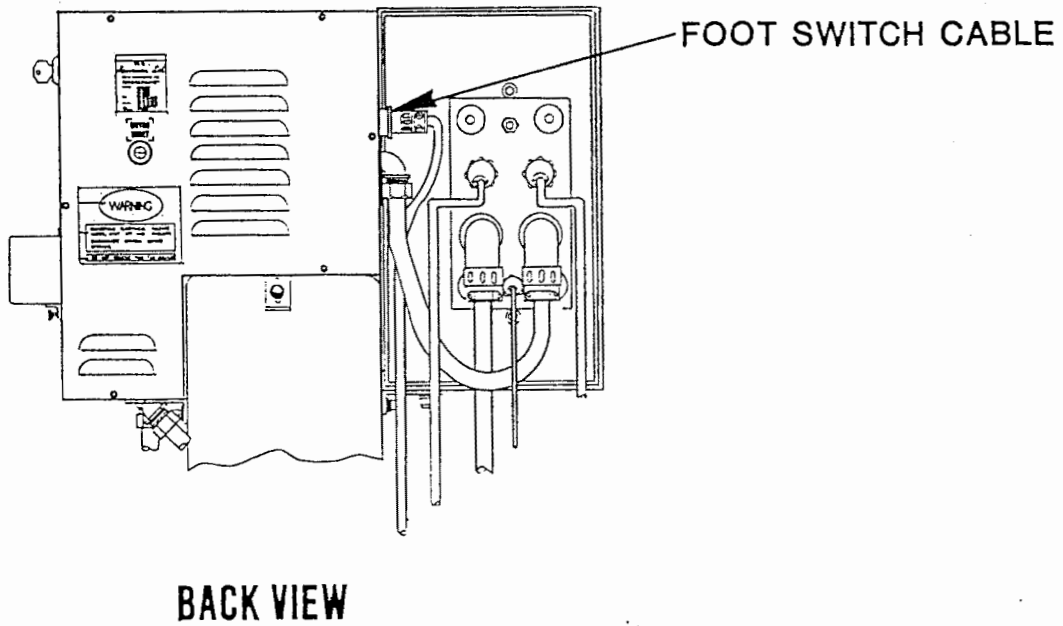
2. Remove back panel screws (201) with 5/64" hex wrench and remove back panel (202).

WIRES REMOVED FOR CLARITY



A83-9228

Figure 8.5 A



BACK VIEW

A83-9231

Figure 8.5 B

8.5 FOOT SWITCH TEST AND RE PLACEMENT

3. Check very carefully for broken or loose wires in the motor starter box, especially around TB1 terminal 8. See Figure 8.5 A. If any broken or loose wires are found, repair them and then recheck the press.

4. Turn disconnect switch to "ON" position.

5. Turn set up switch to "RUN" position. See Section 3.1.2 for location of set up switch.

6. Press "ON" button on control panel.

7. Use Table 8.5 A and Figure 8.5 A for this step:

! WARNING



* Never do live electrical tests on the press when you are alone. Always make sure someone is present to help you in case you get shocked.

* Do not touch bare electrical terminals when doing live electrical tests.

TEST FOR:	IF:	THEN:
a. 0 to 1 volt DC across TB1 8 and TB2 9 (ground).	If <i>more</i> than 1 volt is present	Replace foot switch according to Steps 8-10.
	If <i>less</i> than 1 volt is present --	Go to step 7 b.
b. 40 to 55 volts DC across TB1 8 and TB2 9 (ground) while foot switch is pressed all the way down.	If 40 to 55 volts <i>are not</i> present --	Replace foot switch according to steps 8-10.
	If 40 to 55 volts <i>are</i> present --	Turn press off and continue to follow troubleshooting chart in Chapter 5.

Table 8.5 A

8.5 FOOT SWITCH TEST AND REPLACEMENT

- 8. Disconnect foot switch cable from side of press. See Figure 8.5 B.
- 9. Connect new foot switch to side of press.
- 10. Reattach back panel.

