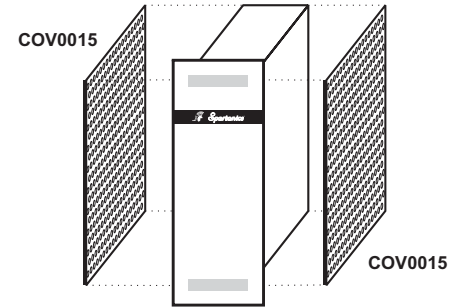


95-6000

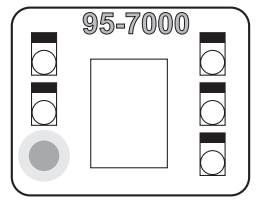


APPLIED TO EDGE OF TABLE  
CENTERED ON TABLE

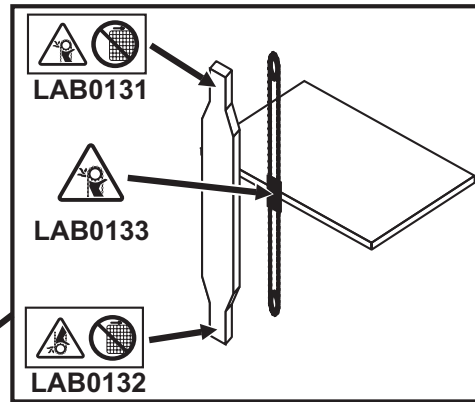


LAB 128

(ON VERTICAL SURFACE  
- LOWEST POSITION)



Rear of 95-7000 Housing



LAB0100



LAB0127



LAB0127



95-3050

LAB0120



LAB0120



LAB0100

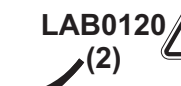


LAB0124  
(ON GUARD)



LAB0120

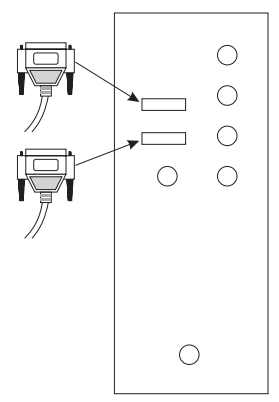
PLEXIGLASS GUARD



LAB0120  
(2)



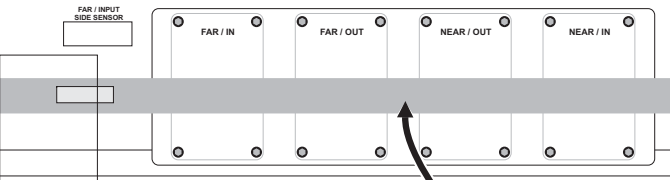
LAB0121



LAB0120  
(2)



LAB0124



FAR DRIVE

NEAR DRIVE

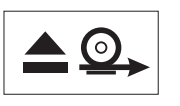
FAR / OUTPUT SIDE SENSOR

NEAR / OUTPUT SIDE SENSOR

PLEXIGLASS GUARD



LAB0129



LAB0120  
(2)

LAB0122 (3)



LAB0124



LAB0126

LAB0125



LAB0124  
(ON GUARD)

LAB0120  
(VERT. GUIDE BAR - HIDDEN)

