

WL-3 Shear

Illustrated Parts List Section

SPARTANICS

The information furnished herein is believed to be accurate and reliable. However, no responsibility is assumed by Spartanics for damages incurred directly or indirectly from errors, omissions or discrepancies between the product and this manual.

In order to show equipment detail, this manual may show equipment with guards or covers removed. In normal use, equipment must never be operated with guards or covers removed or modified, and safety mechanisms must never be defeated!

Spartanics Ltd. reserves the right to change specifications at any time without notice.

For information not contained in this manual, contact Spartanics Technical Services Department for assistance.

Spartanics is a registered trademark of Spartanics Ltd. Rolling Meadows, Illinois.

Fig.	Item	Part #.	Description	Qty.
1	-1	100-000	Shear, Spartanics Model-100	1
	2	--	Screw, 10-24 X 1/2" Binder Head	1
	3	HAB0015	Handle, Amatom	2
	4	SCR0010	Screw, Captive Panel	4
	5	100-110	Cover, Control Housing	1
	6	WAS0570	Washer, Steel Split	4
	7	--	Space Reserved for Future Use.	-
	8	--	Screw, 1/4-20 X 3/4" Hex Head	4
	9	--	Washer, Flat 1/4" I.D.	4
	10	--	Nut, 1/4-20 Hex	4
	11	--	Washer, 1/4" I.D. Split Lock	4
	12	SWI0105	Switch, ITE Safety	1
	13	2186	Grommet	1
	14	--	Space reserved for future use.	-
	15	--	Screw, 8-32 X 3/8" Binder Head	4
	16	100-020	Front Panel Assembly [Standard] (See Figure 6 for detailed view of assembly.)	1
	17	100-520	Front Panel Assembly [Front Gage] (See Figure 8 for detailed view of assembly.)	1
	18	--	Bolt, 3/8-16 X 2" Hex Head	4
	19	--	Washer, 3/8" Split Lock	4
	20	--	Washer, 3/8"ID,13/16"OD,.080THK	4
	21	--	Space reserved for future use.	-
	22	100-100	Control Housing Assembly (See Figure 10 for exploded view of assembly.)	1
	23	100-108	Spacer, Control Housing	4
	24	CLA1180	Clamp	2
	25	KNO0015	Knob	2
	26A	100-200Q	Sensing Head [Plastics/Nameplates]	2
	26B	100-200M	Sensing Head [PCBs]	2
	26C	100-200M	Sensing Head [Grn on Bk&Bk on Gd]	2
	27	100-179-J	Auxiliary Hold-Down Assembly (See Figure 24 for exploded view of assembly.)	1

- Not Illustrated

Fig.	Item	Part#	Description	Qty.
1(cont.)	28	--	Space reserved for future use.	-
	29	--	Bolt, 8-32 X 1 1/4" Soc Head	2
	30	--	Washer, #8 Internal Lock	2
	31	--	Washer, #8 I.D. 3/4" O.D. Flat	2
	32	--	Bracket, Gage Lite Box	1
	33	--	Nut, 3/8-16 Hex	3
	34	--	Washer, 3/8" Flat	6
	35	--	Space reserved for future use.	-
	36	--	Screw, 8-32 X 5/8" Soc Head	3
	37	--	Washer, #8 Internal Lock	3
	38	--	Washer, #8 I.D.	3
	39	100-312	Cover, Backgage	1
	40	--	Screw, #6 X 3/8" Sheet Metal	2
	41	100-300	Backgage Assembly (See Figures 25 & 26 for exploded views of assembly.)	1
	42	--	Space reserved for future use.	-

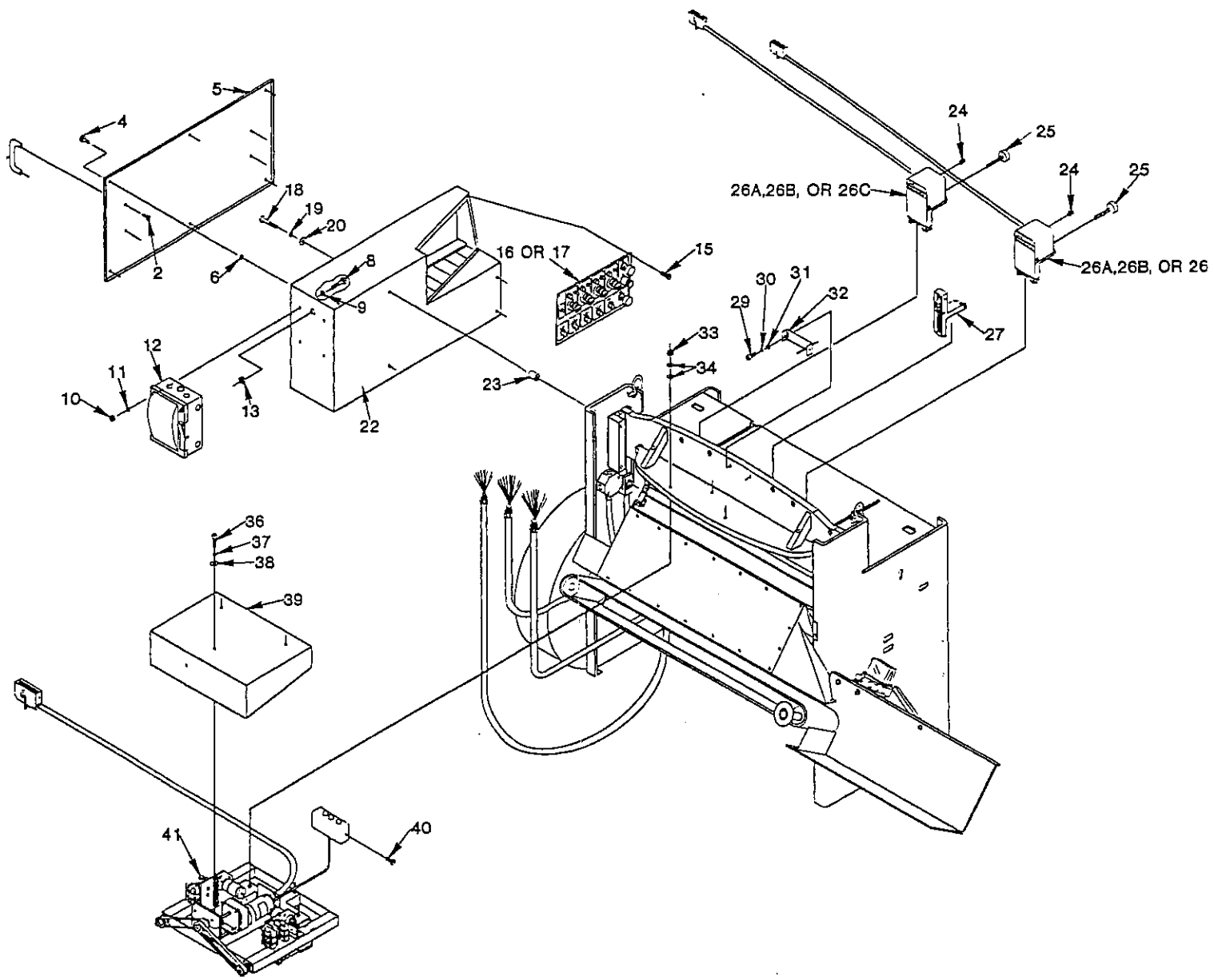


Figure 1

Fig.#	Item	Part #	Description	Qty
2	43	--	Screw, 10-24 X 3/8" Button Hd.	6
	44	--	Washer, #10 Internal Lock	6
	45	100-415	Guide, Scrap	1
	46	--	Screw, 1/4-20 X 1/2" Button Hd.	2
	47	--	Washer, 1/4" Split Lock	2
	48	--	Nut, 1/4-20 Hex	1
	49	100-421	Support, Basket	1
	50	--	Space reserved for future use.	-
	51	--	Screw, 8-32 X 5/16"	1
	52	--	Bolt, 3/8-16 X 1 1/2" Hex	2
	53	--	Washer, 3/8" Flat	2
	54	--	Nut, 3/8-16 Hex	2
	55	--	Washer, 3/8" Split Lock	2
	56	100-400/100-427	Stacker & Scrap Door Assembly (See Figure 29 for exploded view of assembly.)	
	57	--	Space reserved for future use.	-

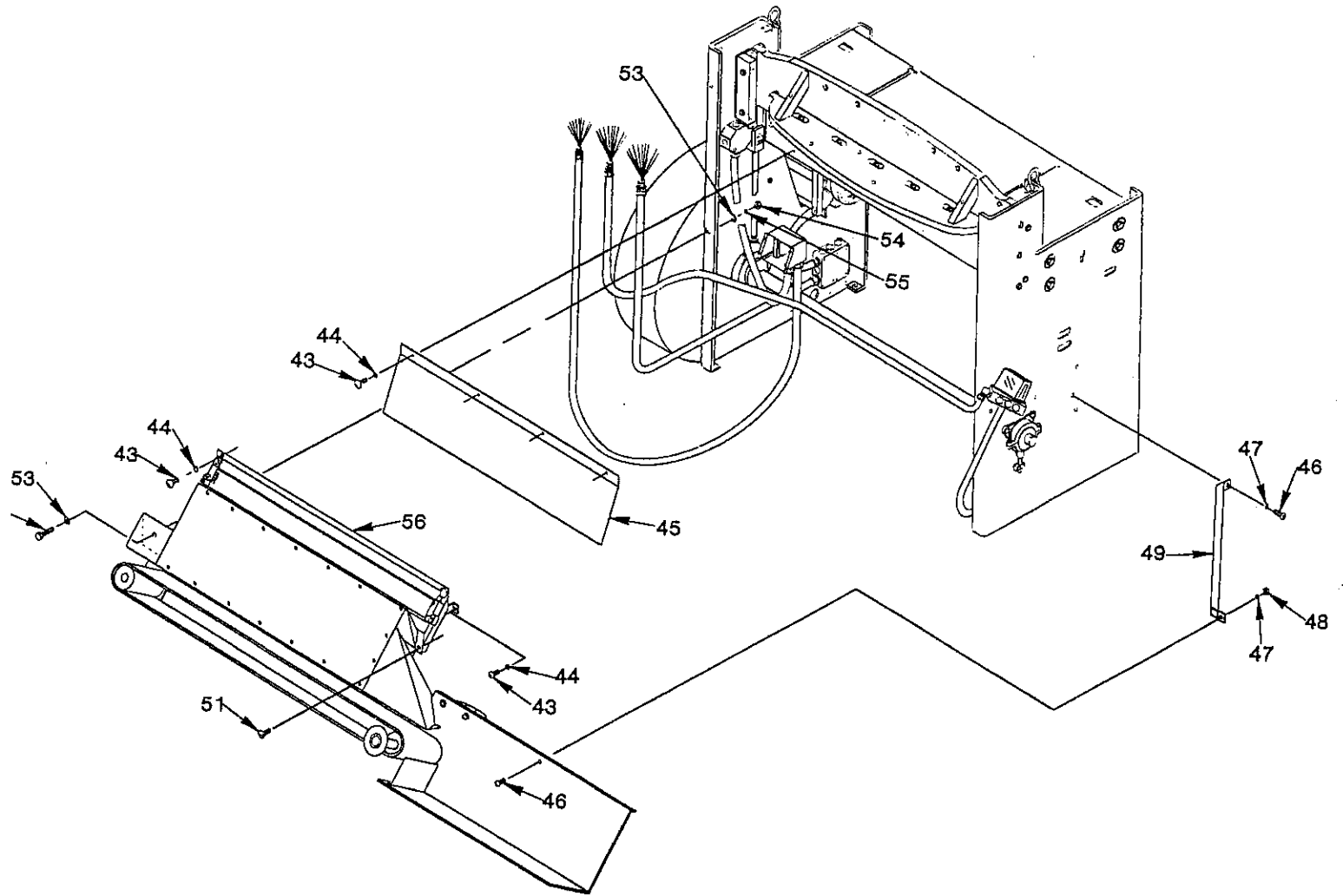


Figure 2

Fig.#	Item	Part #	Description	Qty
3	58	--	Bolt, 1/4-20 X 1" Hex	3
	59	3250424	Flywheel Guard Assembly	1
	60	--	Nut, 1/4-20 Hex	3
	61	--	Washer, 1/4" Split Lock	3
	62	--	Bolt, 1/4-20 X 1/2"	6
	63	--	Washer, 1/4" Split Lock	6
	64	3104468	Guard, Top Solenoid	1
	65	--	Space reserved for future use.	-
	66	--	Guard, Bottom Solenoid	1
	67	100-182	Foot Switch Assembly	18
	68	100-181	Motor Conduit Assembly (See Figure 32 for detailed view of assembly.)	1
	69	--	Screw, 6-32 X 1/8" Binder Hd	4
	70	--	Washer, #6 Internal Lock	4
	71	--	Bolt, 1/4-20 X 1" Hex	2
	72	--	Space reserved for future use.	-
	73	--	Washer, 1/4" Split Lock	2
	74	--	Washer, 1/4" Flat	2
	75	100-109	Spacer	2
	76	100-183	Limit Switch & Stacker Solenoid Conduit Assembly (See Figure 31 for detailed view of assembly.)	1
	77	100-184	Stacker & Sola Transformer Conduit Assembly (See Figure 30 for detailed view of assembly.)	1
	78A	TRA1075	Transformer (60Hz), Sola	1
	78B	TRA1105	Transformer (50Hz), Skaw Control Power	1
	79	--	Space reserved for future use.	-
	*80	TRA1050	Transformer, Jefferson	1
	*81	CON0875	Connector, T & B Ansley	2
	82	CON0010	Conduit, Lquatite (12")	1
	83	--	Screw, 1/4-20 X 3/4" Socket Head	as req.
	84	--	Washer, 1/4" Split Lock	"
	85	--	Washer, 1/4" Flat	"
	86	--	Space reserved for future use.	-

*Optional. Used for high-voltage power sources.

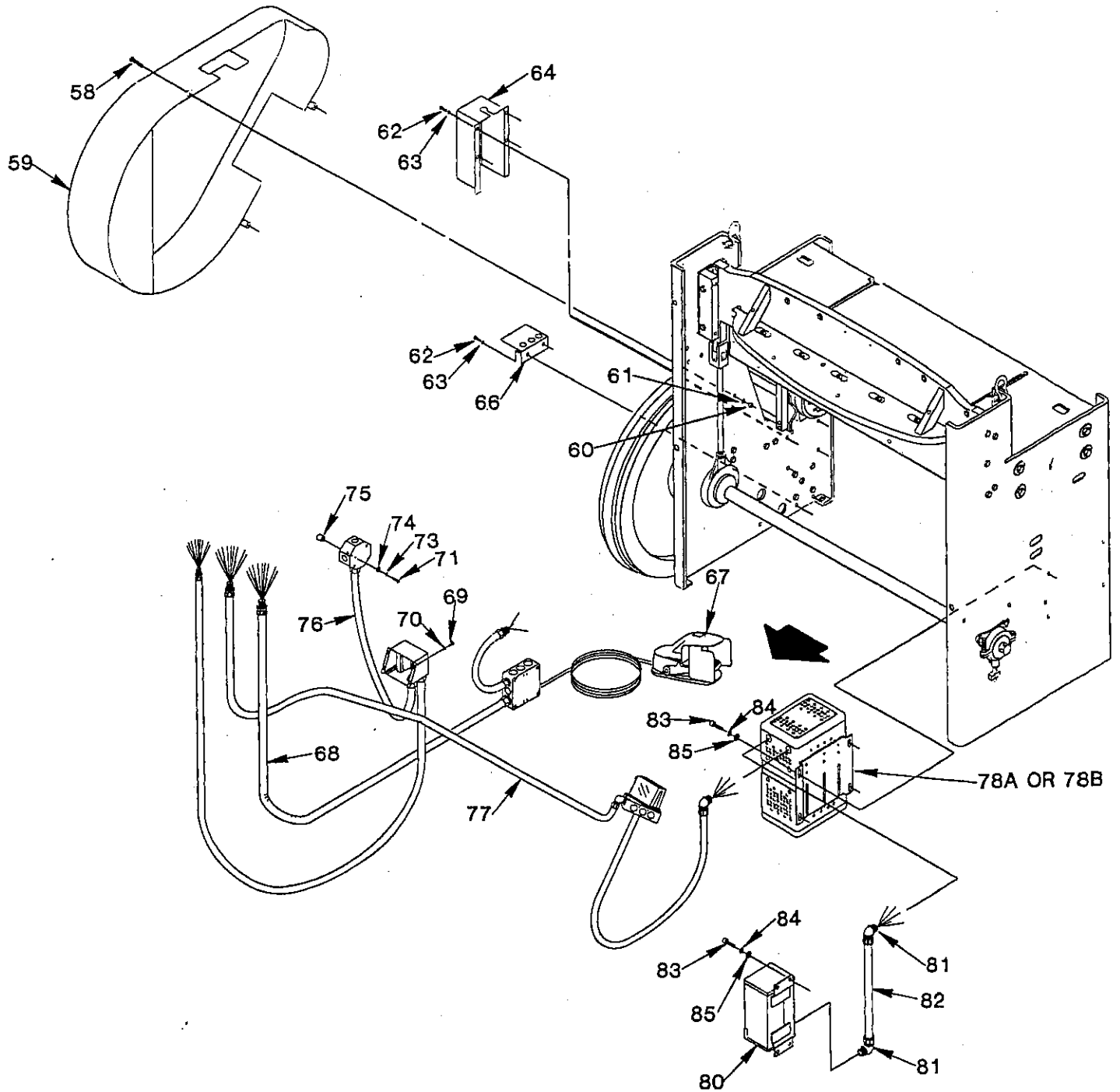


Figure 3

Fig.#	Item	Part #	Description	Qty
4	87	10 95K11	Grease Fitting, McMaster Carr	1
	88	5686	Bolt, Shaft	1
	89	--	Washer, 3/8" Split Lock	1
	90	--	Washer, Shaft	1
	91	1654SS	Bearing	2
	92	5008-250	Retaining Ring	2
	93	23812	Spacer	1
	94	23805	Flywheel	1
	95	--	Space reserved for future use.	-
	96	BEL0030	V-Belt, Twin	1
	97	5108-125	Retaining Ring	1
	98	23807	Drive Pin (looks like Clutch plate)	1
	99	--	Locating Pin	2
	100	--	Screw, Clutch Plate Retaining	4
	101	25039	Clutch Dog	1
	102	--	Space reserved for future use.	-
	103	--	Clutch Pin	1
	104	25038	Clutch	1
	105	25040	Clutch Spring	1
	106	--	Screw, Clutch Spring	1
	107	--	Bolt, 5/16-18 X 1" Hex	4
	108	--	Washer, 5/16" Split Lock	4
	109	--	Space reserved for future use.	-
	110	--	Bolt 1/4-20 X 1 1/4" Hex	1
	111	--	Nut, 1/4-20 Hex	1
	112	--	Bolt, 1/4-20 X 3/4" Hex	4
	113	--	Washer, 1/4" Split Lock	4
	114	--	Clutch Solenoid Assembly (See Figure 33 for exploded view of assembly.)	1
	115	--	Screw, 6-32 X 1/4" Binder Head	2
	116	--	Space reserved for future use.	-
	117	--	Washer, #6 Internal Lock	2
	118	100-164	Guard, Fixed	1
	119	--	Screw, 6-32 X 1/2" Binder Head	2
	120	--	Washer, #6 Internal Lock	2
	121	--	Bolt, 1/4-20 X 1" Shoulder	1
	122	BEA0135	Bearing	2
	123	--	Space reserved for future use.	-
	124	--	Washer, 1/4" I.D./3/8" O.D./1/16" Thk	1
	125	SPR0075	Spring, Lee	1
	126	100-162	Bracket, Roller	1
	127	--	Screw, 6-32 X 5/16" Binder Head	2
	128	--	Washer, #6 Internal Lock	2
	129	100-161	Guard, Fixed	1
	130	--	Space reserved for future use.	-
	131	--	Bolt, 5/16-18 X 3" Socket Head	4
	132	--	Rivet, 1/8" Pop	2
	133	100-166	Reverse Scale	1

Fig.#	Item	Part #	Description	Qty.	
4(cont)	134	--	Screw, 6-32 X 1/4" Binder Head	4	
	135	100-163	Cable Channel	1	
	136	--	Screw, 6-32 X 5/16" Binder Head	4	
	137	--	Space reserved for future use.	-	
	138	--	Washer, #6 Internal Lock	4	
	139	100-160	Guard, Fixed	1	
	140	--	Screw, 6-32 X 1/4" Socket Head	12	
	141	100-152	Spring, Guard	6	
	142	100-153	Spacer, Guard	6	
	143	100-151	Guard, Blade	6	
	144	--	Space reserved for future use.	-	
	145	100-150A	Guide Tube (Standard)	1	
	146	SCH 329	Clamp, Swivel Pad	1	
	147	100-155	Guide, Adjustable	1	
	148	100-154	Block, Right Tube	1	
	149	100-138	Block, Left Tube	1	
	150	100-165	Straight Edge Assembly	2	
	151	--	Space reserved for future use.	-	
	152	--	Bolt, 7/16-14 X 1 1/2" Hex	6	
	153	--	Washer, 7/16" Split Lock	6	
	154	--	Bolt, 3/8-16 X 1 1/4" Hex	2	
	155	--	Nut, 3/8-16 Hex	2	
	156	--	Bolt, 3/8-16 X 1" Hex	4	
	157	--	Washer, 3/8" Split Lock	4	
	158	--	Space reserved for future use.	-	
	159	--	Bolt, 3/8-16 X 1/2" Flat Head	4	
	160	23707	Front Guide (Left)	1	
	161	23706	Front Guide (Right)	1	
	162	--	Screw, 1/4-20 X 3/8" Flat Head	16	
	163	23721	Wear Strip	4	
	164	--	Space reserved for future use.	-	
		165A	23824	Shim (Purple) .0015	as req.
		165B	"	Shim (Red) .002"	"
		165C	"	Shim (Green) .003"	"
	165D	"	Shim (Blue) .005	"	
	166	28008L	Thrust Bearing (Left)	1	
	167	28008R	Thrust Bearing (Right)	1	
	168	23803	Guide Spacer	2	
	169	--	Bolt, 3/8-16 X 1 1/2" Hex	4	
	170	--	Washer, 3/8" Split Lock	4	
	171	--	Space reserved for future use.	-	
	172	23705	Rear Guide	2	
	173	--	Bolt, 1/4-20 X 1/2" Hex	2	
	174	--	Washer, 1/4" Split Lock	2	
	175	23727	Pin Retainer	2	
	176	23726	Clevis Pin	2	
	177	23728	Clevis	2	
	178	--	Space reserved for future use.	-	

Fig.#	Item	Part#	Description	Qty.
4(cont)	179	--	Bolt, 3/8-16 X 2 1/4" Hex	2
	180	--	Washer, 3/8" Split Lock	2
	181	23612	Blade Staightener Spacer	2
	182	--	Bolt, 3/8-16 X 1 1/4"	2
	183	--	Washer, 3/8" Split Lock	2
	*184	--	Pin, 5/32" X 1 1/4" Roll	2
	185	--	Space reserved for future use.	-
	*186	--	Pad, 2" X 1/2" X 1/8" Rubber	2
	187	--	Blade Stiffener	2
	188	--	Nut, 3/8-16 Hex	10
	189	--	Bolt, 3/8-16 X 1"	11
	190	--	Washer, 3/8" Flat	11
	191	-	Screw, 8-32 X 1 1/4" Socket Head	7
	192	--	Space reserved for future use.	-
	193	--	Washer, #8 Internal Lock	7
	194	--	Washer, #8 I.D. 3/4" O.D. Flat	7
	195	--	Bolt, 3/8-16 X 3" Hex	5
	196A	23715	Ram (1/4" Slope)	1
	196B	23715	Ram (3/8" Slope)	1
	197	--	Stud, 3/8-16 X 1"	2
	198	100-190	Blade	1
	199	100-170	Cam, Ram	1

*Used only on shears equipped with optional offset guide assembly.

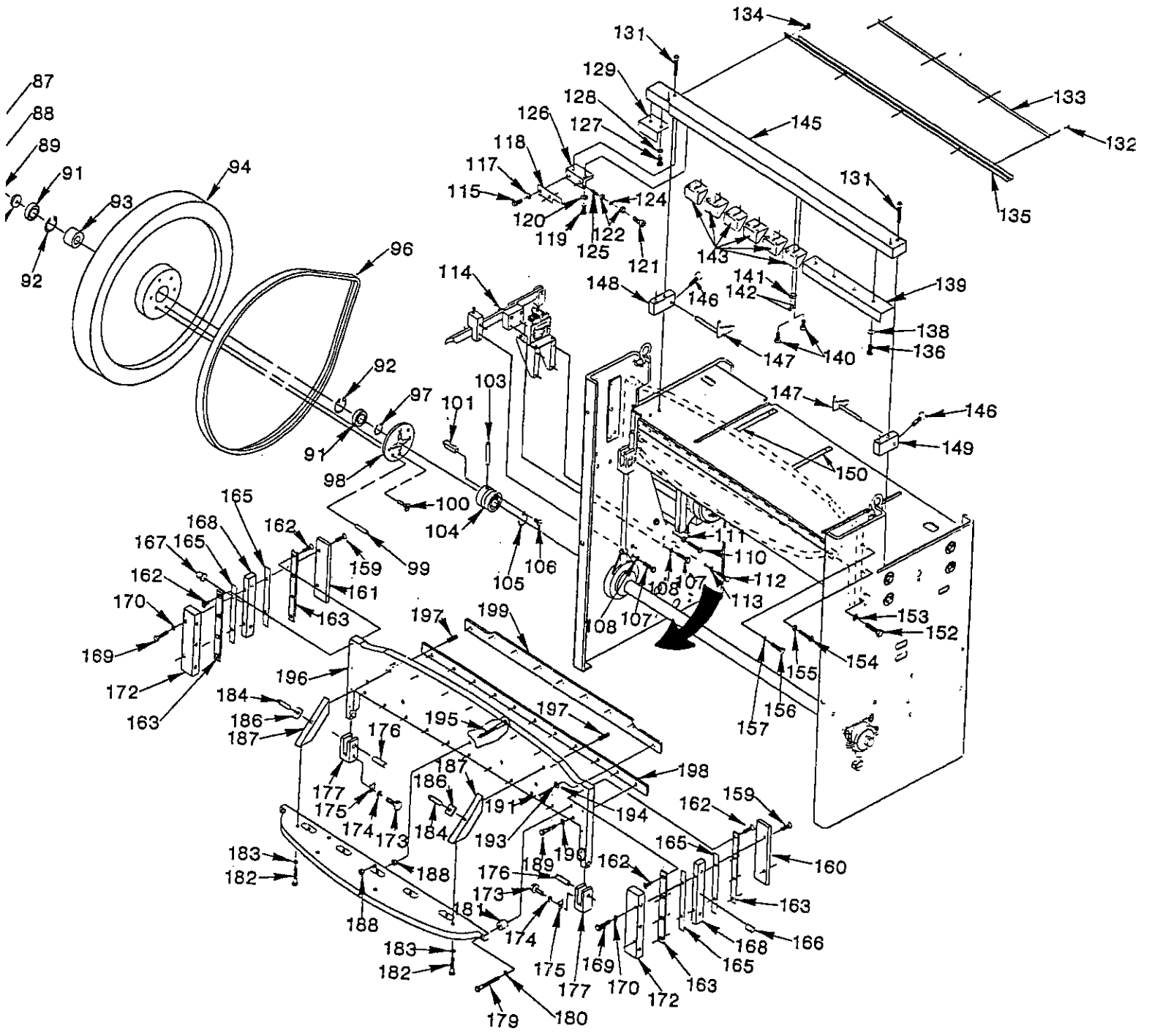


Figure 4

Fig.#	Item	Part #	Description	Qty
5	200	--	Bolt, 7/16-14 X 2" Hex	1
	201	--	Nut, 7/16-14 Hex	1
	202	--	Washer, 7/16" Split Lock	1
	203	--	Roll Pin, 5/16" X 1"	1
	204	23814	Motor Mount (Right)	1
	205	--	Space reserved for future use.	-
	206	--	Bolt, 5/16-18 X 1 1/8" Carriage	1
	207	--	Nut, 3/8-16 Hex	1
	208	--	Washer, 3/8" Split Lock	1
	209	23818	Adjustment Strap	1
	210	--	Bolt, 7/16-14 X 1 5/8" Hex	3
	211	--	Washer, 7/16" Flat	3
	212	--	Space reserved for future use.	-
	213	23809	Bearing, Main	1
	214	--	Nut, 7/16-14 Hex	3
	215	--	Washer, 7/16" Split Lock	3
	216	--	Bolt, 7/16-14 X 2" Hex	1
	217	23815	Motor Mount, (Left)	1
	218	--	Nut, 7/16-14 Hex	1
	219	--	Space reserved for future use.	-
	220	--	Washer, 7/16" Split Lock	1
	221	--	Screw, 1/4-20 X 1/4" Set	1
	222	--	Key, 3/16 Square X 1 1/2"	1
	223A	28035	Pulley(60 Hz)	1
	223B	PUL0035	Pulley (50 Hz)	1
	224	--	Bolt, 3/8-16 X 1" Hex	4
	225	--	Space reserved for future use.	-
	226	--	Washer, 3/8" Split Lock	4
	227	M3607	Motor, Baldor 3-Phase	1
	228	--	Bolt, 3/8-16 X 1 1/2	4
	229	--	Bolt, 3/8-16 X 1 1/4	2
	230	--	Washer, 3/8" Flat	2
	231	SHA0005	Shackle	2
	232	--	Space reserved for future use.	-
	233	--	Shackle Pin	2
	234	--	Cotter Pin	2
	235	--	Bolt, 3/8-16 X 1" Hex	11
	236	--	Washer, 3/8" Flat	11
	237	100-190	Blade	1
	238	--	Screw, 8-32 X 1 1/4"	4
	239	--	Space reserved for future use.	-
	240	--	Nut, 8-32 Hex	4
	241	--	Washer, #8 Lock	4
242	--	Washer, #8 Flat	4	
243	--	Dowel Pin	1	
244	100-186	Disappearing Edge Guide Assembly (See Figure 34 for exploded view of assembly.)	1	

Fig.#	Item	Part #	Description	Qty.
5(cont.)	245	--	Rivet, 3/32" Round Head Twist	4
	246	--	Space reserved for future use.	-
	247	900-117	Nameplate, Spartanics	1
	248	23730	Bed Assembly	1
	249	--	Bolt, 7/16-14 X 1 1/2"	8
	250	--	Washer, 7/16" Split Lock	8
	251	--	Washer, 7/16" I.D. 1 1/2" O.D.	8
	252	--	Bolt, 5/16-18 X 2 3/4" Hex	1
	253	--	Spring, Brake	1
	254	--	Space reserved for future use.	-
	255	--	Bolt, 5/16-18 X 1 1/2"	1
	256	27055	Brake Shoe (Upper)	1
	257	27055	Brake Shoe (Lower)	1
	258	25656	Brake Rod	1
	259	--	Screw, 1/4-20 X 1/2" Set	2
	260	27054	Brake Collar	1
	261	--	Space reserved for future use.	-
	262	--	Bolt, 7/16-14 X 3" Hex	1
	263	--	Block, Brake	1
	264	--	Nut, 7/16-14 Hex	2
	265	--	Washer, 7/16" Split Lock	1
	266	--	Bolt, 7/16-14 X 1 5/8"	3
	267	--	Washer, 7/16" Flat	3
	268	--	Space reserved for future use.	-
	269	23809	Main Bearing (Left)	1
	270	--	Nut, 7/16-14 Hex	3
	271	--	Washer, 7/16" Split Lock	3
	272	23802	Side Frame Assembly (Left)	1
	273	23801	Side Frame Assembly (Right)	1
	274	--	Nut, 3/4-10, Hex	4
	275	--	Space reserved for future use.	-
	276	23725	Connecting Rod	2
	277	23810	Pitman	2
	278	--	Oil Port	2
	279	23811	Eccentric	2
	280	5100-175	Retaining Ring	2
	281	--	Key, Woodruff	2
	282	--	Space reserved for future use.	-
	283	23808	Crank Shaft	1

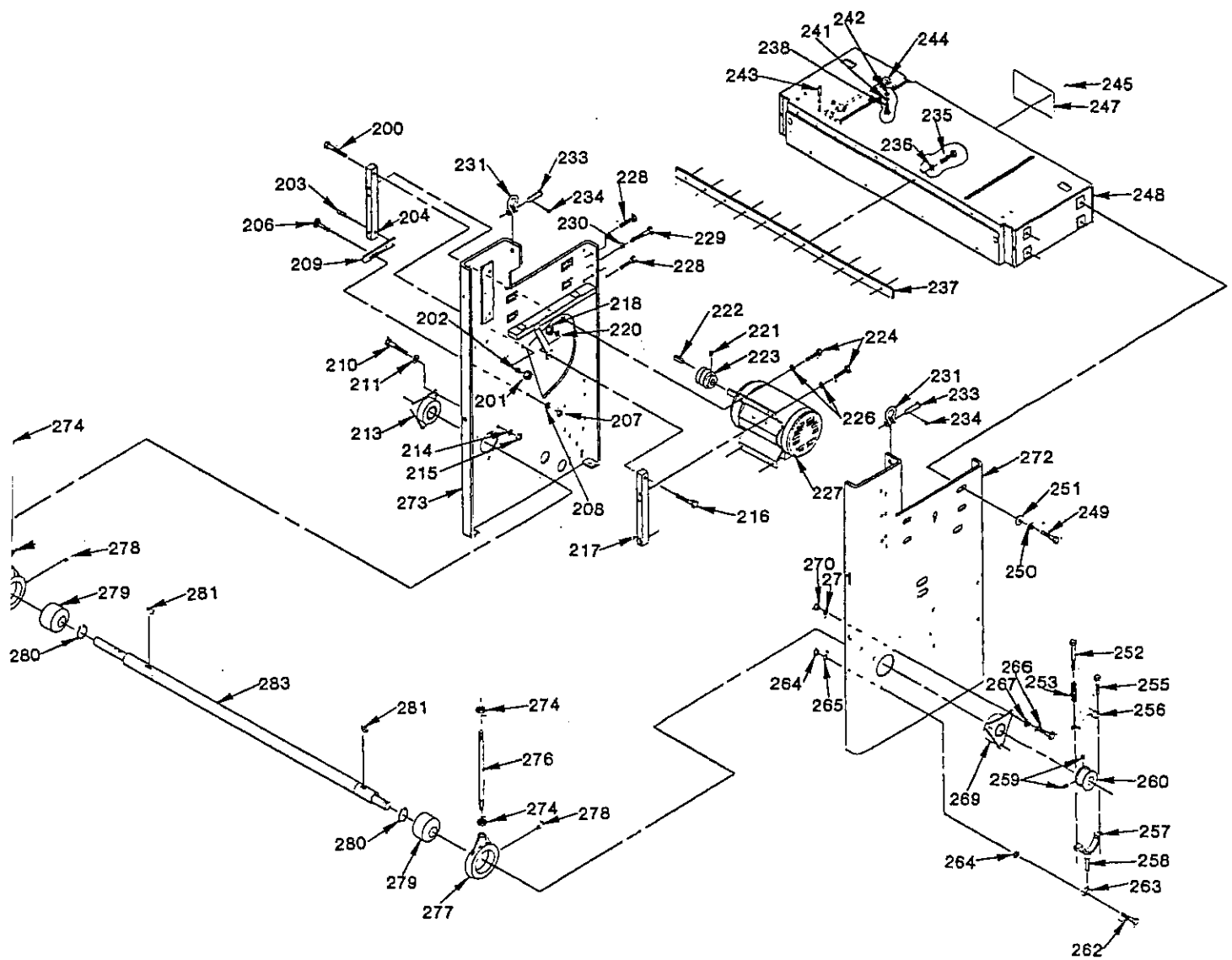


Figure 5

Fig.#	Item	Part #	Description	Qty
6	16	100-020	Front Panel Assembly (Std.)	1
	284	KNO0035	Knob, Davies	5
	285	100-045	Microdial Assembly	4
	286	15-1048-3	Nut, Switch	4
	287	SWI0150	Switch, Micro	1
	288	SWI0145	Switch, Micro	1
	289	--	Space reserved for future use.	-
	290	SWI0155	Switch, Micro	1
	291	SWI0250	Switch, C H	3
	292	SWI0255	Switch, C H	1
	293	LAM0205	Lamp Holder	4
	294	POT0025	Pot, 100 Ohm Amphenol	4
	295	100-037	Spacer, Connector	6
	296	--	Space reserved for future use.	-
	297	100-013	Sensing Switch Assembly	1
	298	CON0610	Connector, Amphenol	1
	299	CON0600	Connector, Amphenol	1
	300	100-017	Switch, Flat Location	1
	301	100-012	Switch, Flat Location	1
	302	--	Screw, 4-40 X 1/4" Binder Head	3
	303	--	Space reserved for future use.	-
	304	100-029	Front Panel P.C. Board Assembly (Standard) (See Figure 7 for detailed view of assembly.)	1
	305	--	Screw, 4-40 X 3/16" Binder Head	4
	306	100-034	Bracket, Switch	1
	307	100-015	Assembly, Switch & Connector	1
	308	100-019	Wire Harness	1
	309	100-043	Nameplate, Sequencer	1
	310	--	Space reserved for future use.	-
	311	100-026	Front Panel, WL-3	1

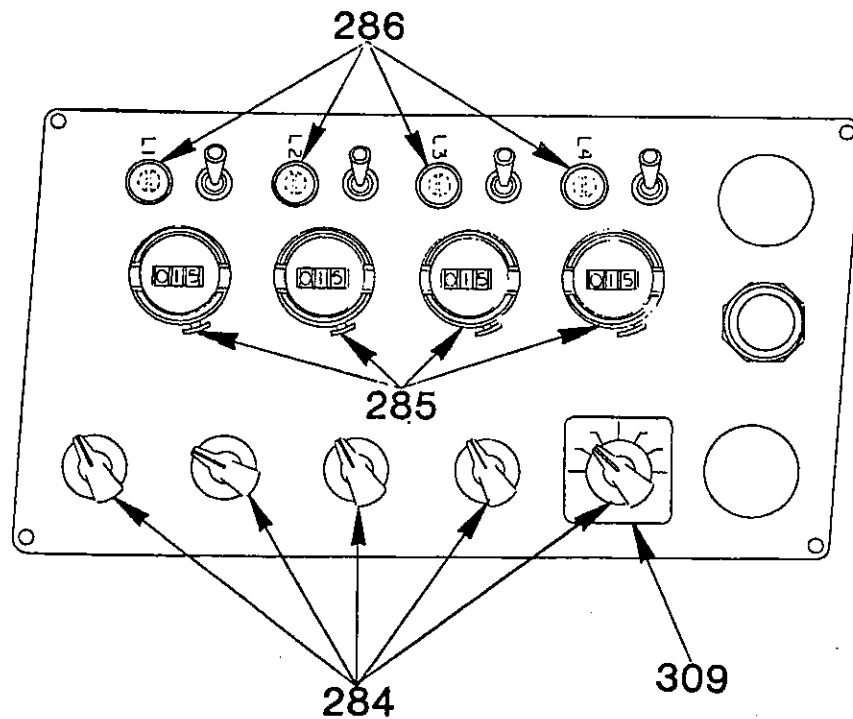
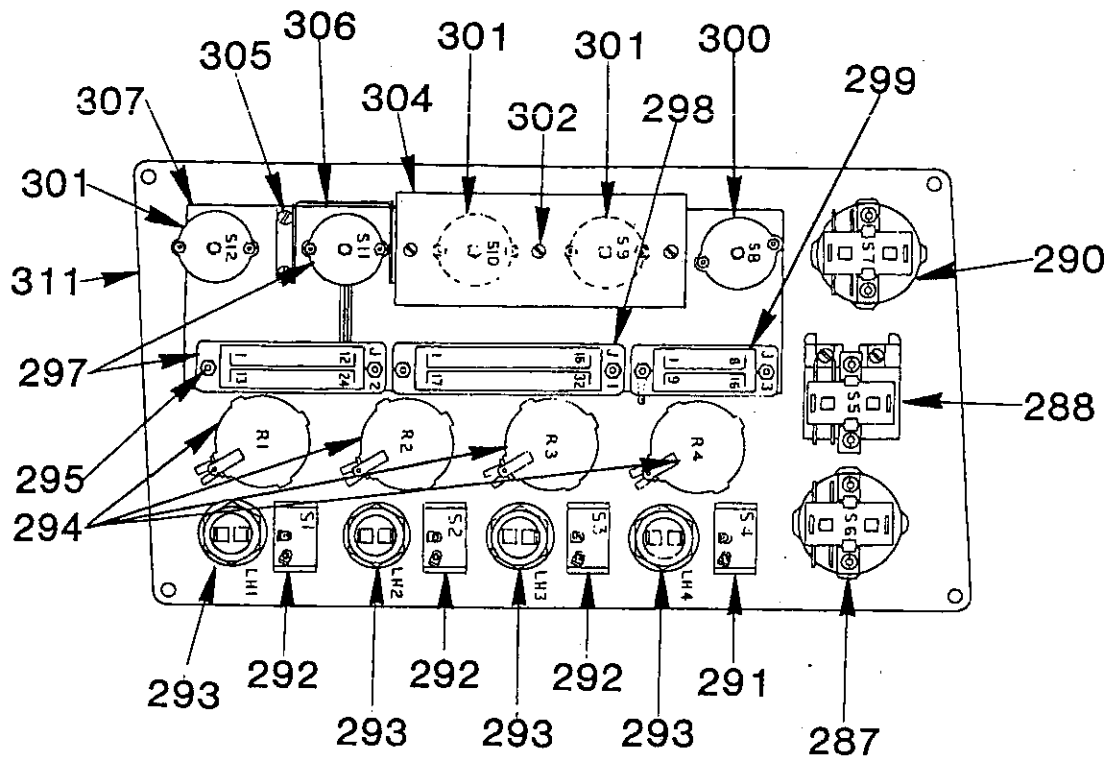


Figure 6

Fig.#	Item	Part #	Description	Qty
7	304	100-029	Front Panel P.C. Board Assembly (Standard)	1
	C1	CAP0535	Capacitor, .68 Mfd, 400 V	1
	C2	CAP0530	Capacitor, .47 Mfd, 400 V	1
	D1-D5	DIO0050	Diode	5
	D6-D8	DIO0040	Diode	3
	R5	--	Resistor, .27 Ohm, 2 Watt	1
	R6	--	Resistor, .68 Ohm, 2 Watt	1
	R7	--	Resistor, 470 Ohm, 1/2 Watt	1
	R8-R9	--	Resistor, 22K Ohm, 1/2 Watt	2
	312	100-028	Front Panel P.C. Board (Standard)	1

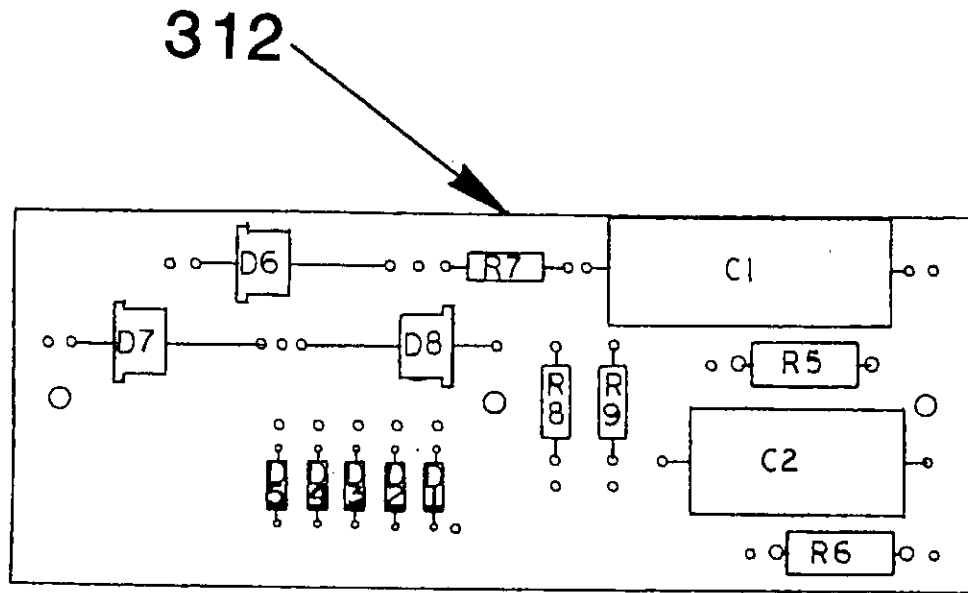


Figure 7

Fig.#	Item	Part #	Description	Qty
8	17	100-020	Front Panel Assembly (Frontgage)	1
	313	KNO0035	Knob, Davies	5
	314	100-045	Microdial Assembly	4
	315	15-1048-3	Nut, Switch	4
	316	--	Space reserved for future use.	-
	317	SWI0150	Switch, Micro	1
	318	SWI0145	Switch, Micro	1
	319	SWI0155	Switch, Micro	1
	320	SWI0250	Switch, C H	3
	321	SWI0255	Switch, C H	1
	322	LAM0205	Lamp Holder	4
	323	--	Space reserved for future use.	-
	324	SWI0230	Switch, Switchcraft	1
	325	POT0025	Pot, 100 Ohm Amphenol	4
	326	100-037	Spacer, Connector	8
	327	100-013	Sensing Switch Assembly	1
	328	CON0610	Connector, Amphenol	1
	329	CON0600	Connector, Amphenol	1
	330	--	Space reserved for future use.	-
	331	100-017	Switch, Flat Location	1
	332	100-012	Switch, Flat Location	1
	333	--	Screw, 4-40 X 1/4" Binder Head	3
	334	100-529	Front Panel P.C. Board Assembly (Frontgage) (See Figure 9 for detailed view of assembly)	1
	335	--	Screw, 4-40 X 3/16" Binder Head	4
	336	100-034	Bracket, Switch	1
	337	--	Space reserved for future use.	-
	338	100-015	Assembly, Switch & Connector	1
	339	100-524	Wire Harness	1
	340	100-043	Nameplate, Sequencer	1
	341	100-026	Front Panel, WL-3	1

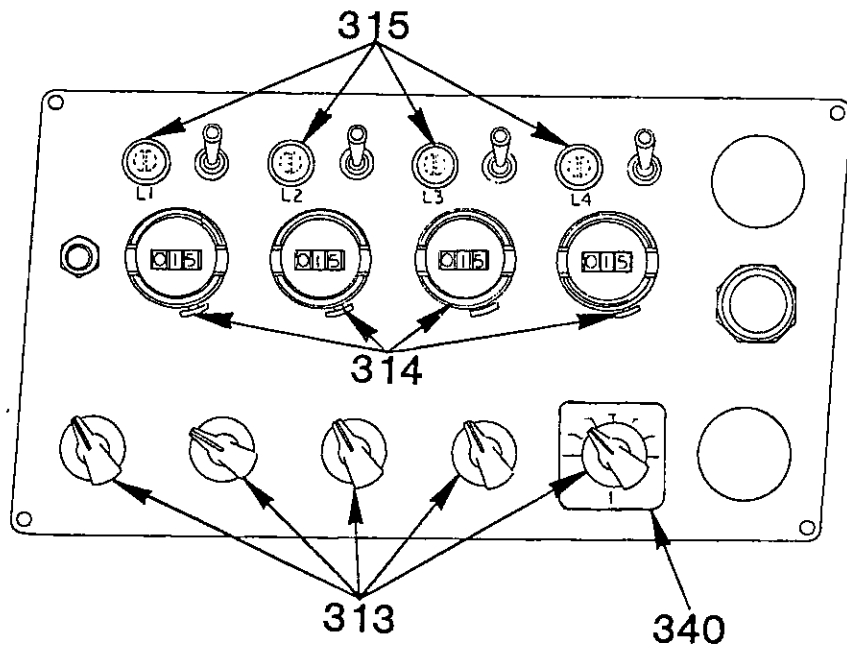
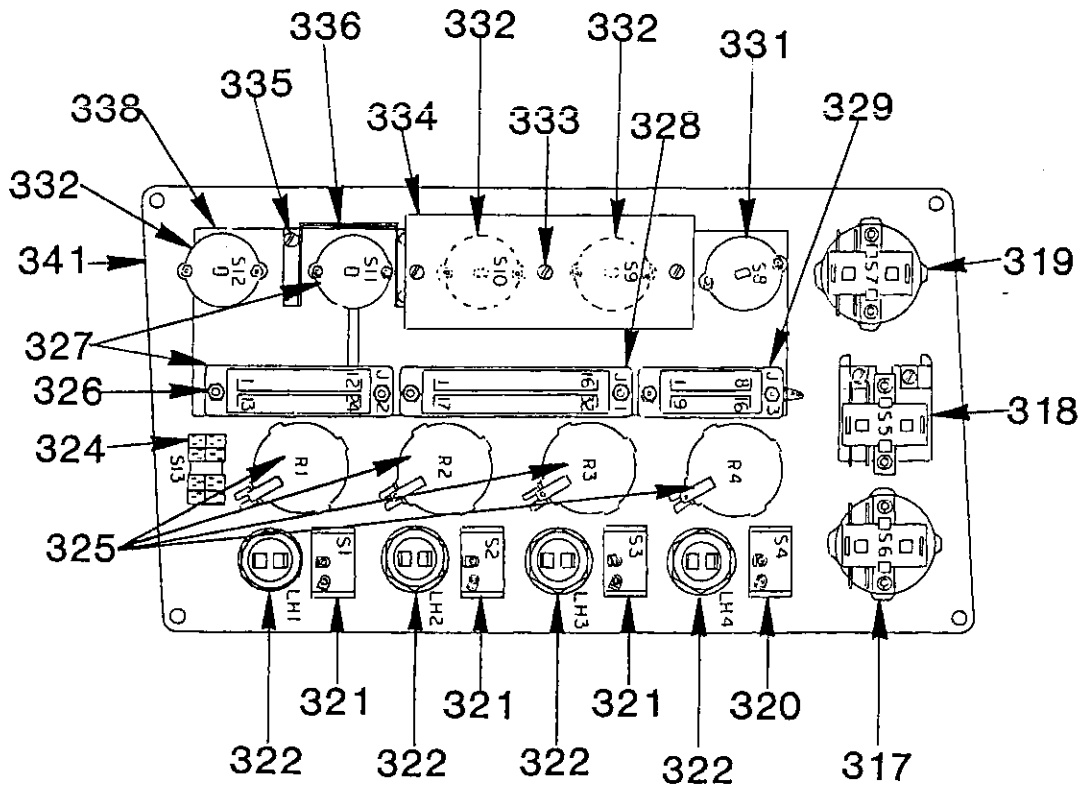


Figure 8

Fig.#	Item	Part #	Description	Qty
9	334	100-529	Front Panel P.C. Board Assembly	1
	C1	CAP0535	Capacitor, .68 Mfd, 400V	1
	C2	CAP0530	Capacitor, .47 Mfd, 400V	1
	C3	CAP0400	Capacitor, 4 Mfd, 150V	1
	D1-D5	DIO0050	Diode	5
	D6-D10	DIO0040	Diode	5
	K1-K2	REL0007	Relay	2
	P1-P2	SOC0505	Connector	2
	R5	--	Resistor, .27 Ohm, 2 Watt	1
	R6	--	Resistor, .68 Ohm, 2 Watt	1
	R7	--	Resistor, 470 Ohm, 1/2 Watt	1
	R8-R9	--	Resistor, 22K Ohm, 1/2 Watt	2
	R10	--	Resistor, 1.5K Ohm, 2 Watt	1
	342	100-528	Front Panel P.C. Board	1

342

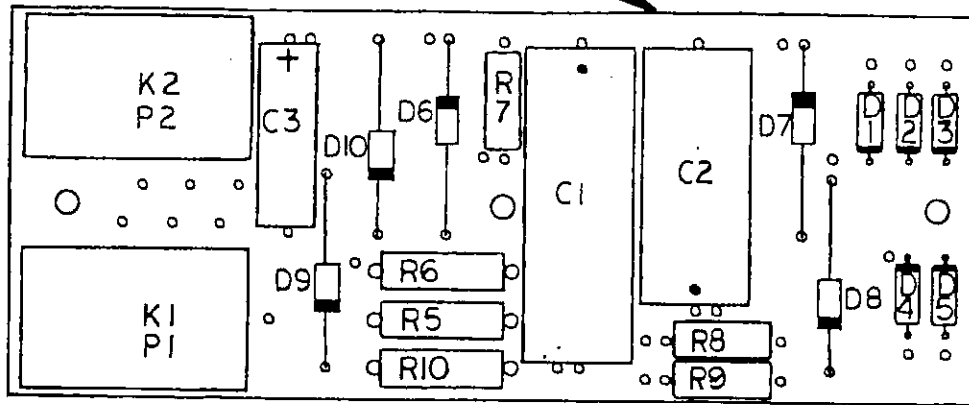


Figure 9

Fig.#	Item	Part #	Description	Qty
10	22	100-100	Control Housing Assembly	1
	343	--	Screw, 6-32 X 1/4" Binder Head	4
	344	--	Space reserved for future use.	-
	345	--	Washer, #6 Internal Lock	20
	346	100-007	Guide	2
	347	100-006	Guide	4
	348	100-550	BGM Amplifier Assembly (See Figure 11 for exploded view of assembly.)	1
	349	100-060	W2 Logic Assembly (See Figure 13 for exploded view of assembly.)	1
	350	100-070	BGM Logic Assembly (See Figure 15 for exploded view of assembly.)	1
	351	--	Space reserved for future use.	-
	352	100-080	W1 Logic Assembly (See Figure 17 for exploded view of assembly.)	1
	353	100-090	Edge Line Servo Amplifier Assembly (See Figure 19 for exploded view of assembly.)	2
	354	--	Screw, 6-32 X 3/8" Binder Head	4
	355	--	Washer, #6 Internal Lock	4
	356	--	Washer, #6 Flat	8
	357	100-009	Guide	1
	358	--	Space reserved for future use.	-
	359	--	Screw, 4-40 X 1/4" Binder Head	6
	360	--	Washer, #4 Lock	6
	361	--	Washer, #4 Flat	6
	362	--	Screw, 4-40 X 3/8"	20
	363	--	Washer, #4 Internal Lock	8
	364	--	Nut, 4-40 Hex	20
	365	--	Space reserved for future use.	-
	366	--	Screw, 4-40 X 1/4" Binder Head	6
	367	--	Washer, #4 Split Lock	2
	368	100-008	Bracket, Connector	1
	369	100-011	Wire Harness	1
	370	--	Nut, 10-32	8
	371	--	Space reserved for future use.	-
	372	--	Washer, #10 Internal Lock	8
	373	900-121	Nameplate, Warning	1

Fig.#	Item	Part#	Description	Qty.
10(cont)	374	100-120	Power Supply Assembly (See Figure 21 for detailed view of assembly).	1
	375	100-126	Power Supply Relay Bracket	1
	376	100-441	Nameplate, Scrap Door	
	377	--	Nut, Electrical	2
	378	--	Space reserved for future use.	-
	379	--	Washer, Electrical	2
	380	100-433	Bracket, Scrap Door Circuit Breaker	1
	381	PLA0001	Plate, Adapter	1
	382	CIR0010	Circuit Breaker	1
	383	--	Screw, 4-40 X 1/4" Binder Head	2
	384	--	Washer, #4 Internal Lock	2
	385	--	Space reserved for future use.	-
	386	100-130	Motor Starter Panel Assembly (See Figure 23 for exploded view of assembly.)	1
	387	--	Plug, 7/8" Hole	1
	388	--	Formica Top	1
	389	100-001	Housing, Control	1

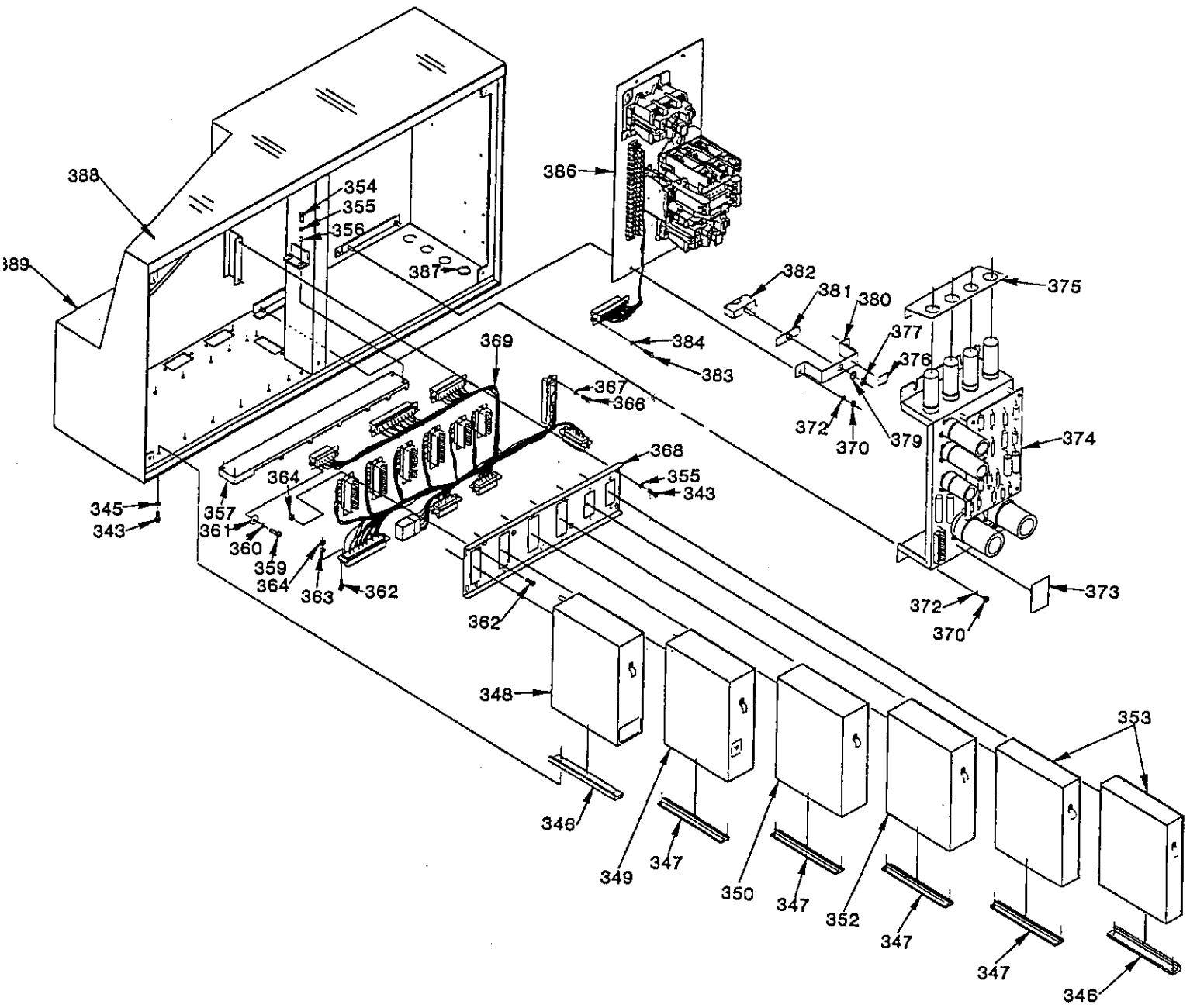


Figure 10

Fig.#	Item	Part #	Description	Qty
11	348	100-550	BGM Amplifier Assembly	1
	390	--	Screw, #6 Sheet Metal	4
	391	--	Screw, 2-56 X 1/4"	8
	392	--	Space reserved for future use.	-
	393	--	Screw, 4-40 X 3/4"	5
	394	100-556	Cover	1
	395	2373	Spacer, H.H. Smith	2
	396	--	Nut, 2-56 Hex	8
	397	RES2320	Resistor, 330 Ohm, 10 Watt	1
	398	RES2330	Resistor, 500 Ohm, 10 Watt	1
	399	--	Space reserved for future use.	-
	400	RES2305	Resistor, 5 Ohm, 10 Watt	1
	401	RES2375	Resistor, 1K Ohm, 10 Watt	1
	402	--	Screw, 4-40 X 1/4" Binder Head	2
	403	SWI0070	Switch, C.H.	1
	404	--	Screw, 4-40 X 1/4" Binder Head	2
	405	100-559	BGM Amplifier P.C. Board Assembly (See Figure 12 for exploded view of Assembly.)	1
	406	--	Space reserved for future use.	-
	407	100-440	Nameplate, BGM Circuit Breaker	1
	408	900-121	Nameplate, Caution	1
	409	--	Screw, 6-32 X 1/4" Binder Head	1
	410	--	Washer, #6 Flat	1
	411	CLA1035	Clamp	1
	412	--	Nut, 6-32 Hex	1
	413	--	Space reserved for future use.	-
	414	--	Screw, 6-32 X 1/4 Binder Head	1
	415	100-023	Key, Index	1
	416	--	Nut, 4-40 Hex	1
	417	--	Washer, #4 Internal Lock	1
	418	--	Rivet, 1/8" Pop	1
	419	100-573	Bracket, Circuit Breaker	1
	420	--	Space reserved for future use.	-
	421	PLA0001	Plate, Switch	1
	422	CIR0010	Circuit Breaker, Little Fuse	1
	423	--	Grommet, 3/8"	1
	424	100-594	Nameplate, R.A.E.	1
	425	100-595	Nameplate, B & D	1
	426	100-596	Nameplate, Motor Select	1
	427	--	Space reserved for future use.	-
	428	100-051	BGM Amplifier Component Chasis	1

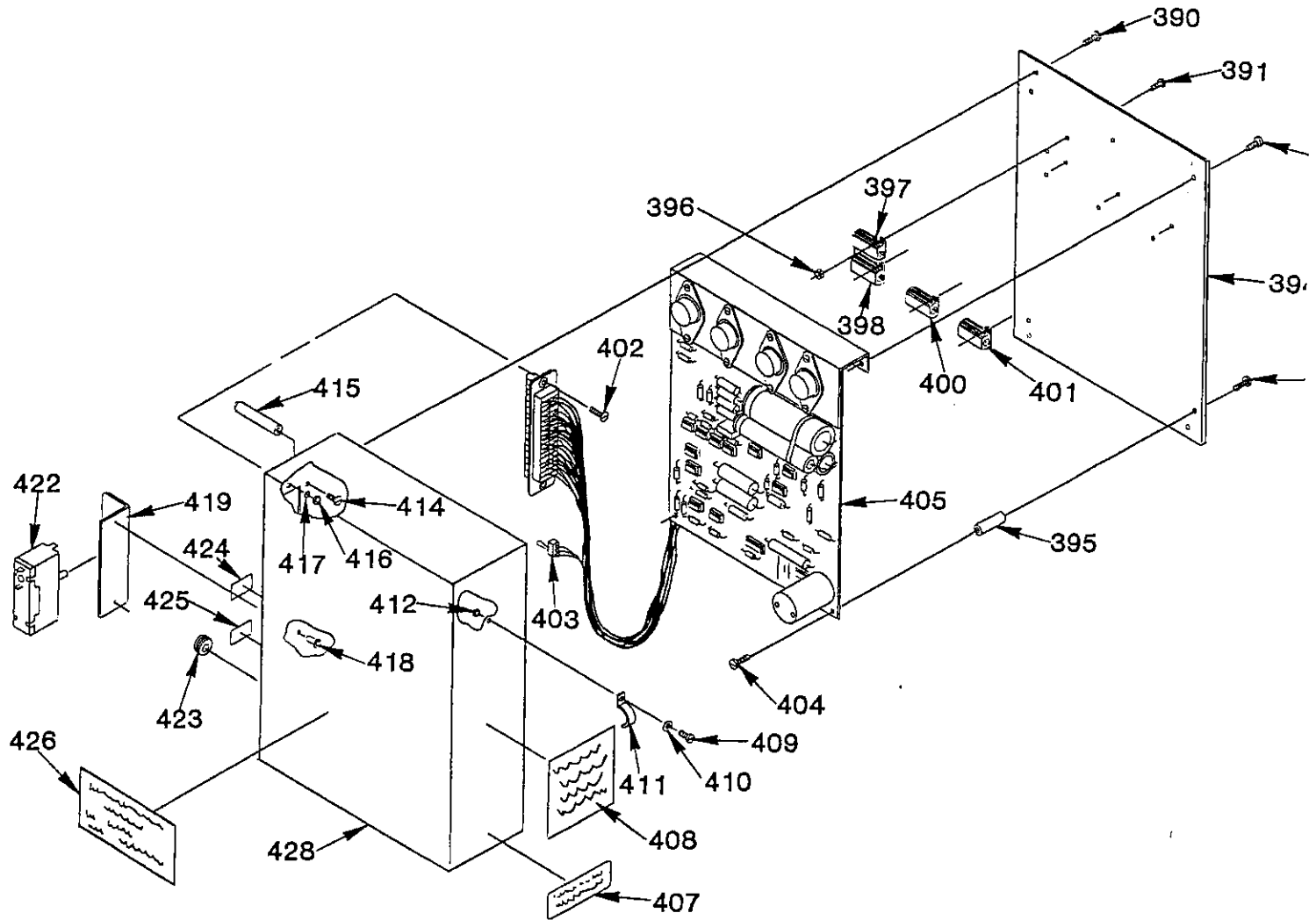


Figure 11