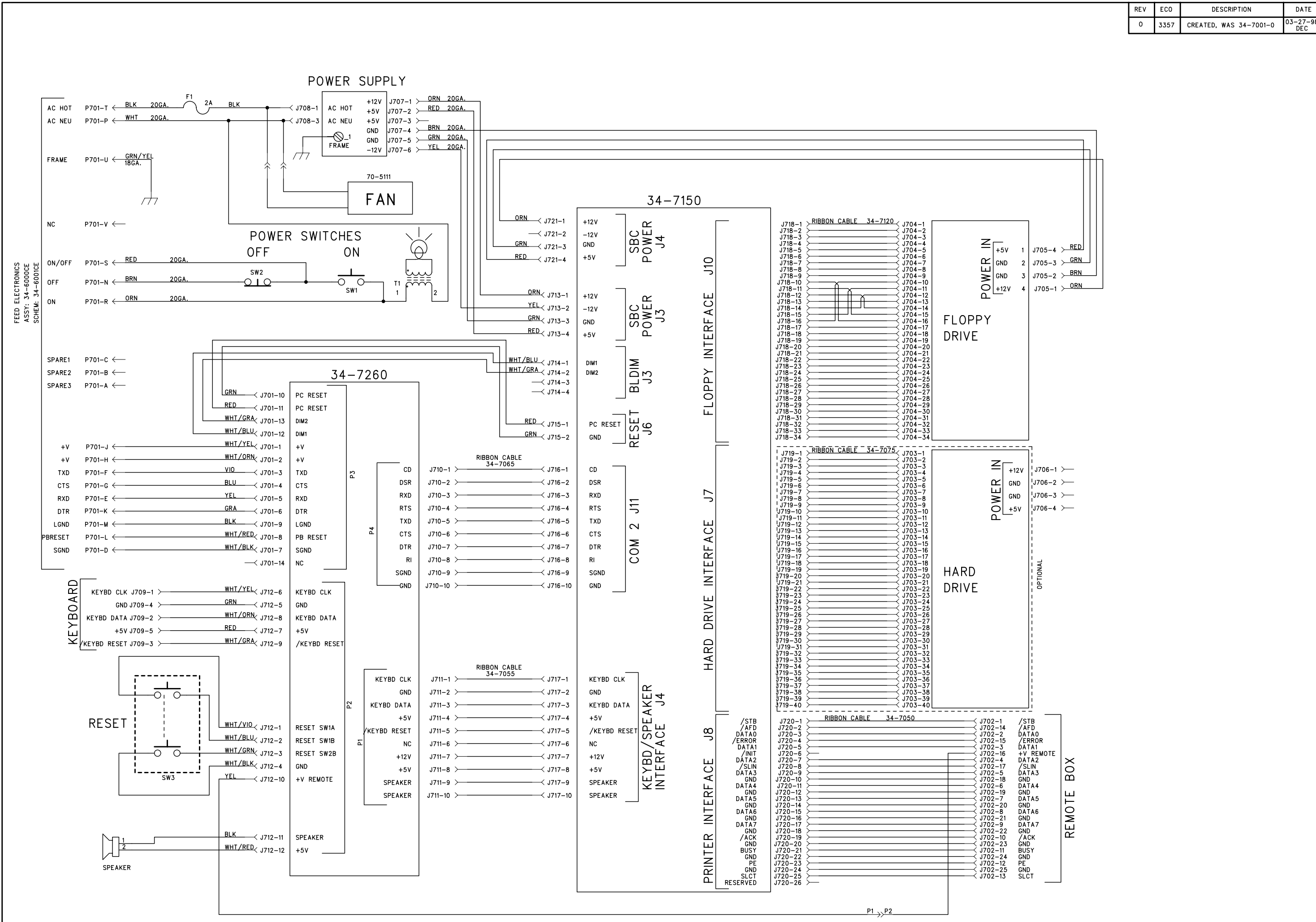


REV	ECO	DESCRIPTION	DATE
0	3357	CREATED, WAS 34-7001-0	03-27-98 DEC



NOTE 1: ALL WIRES ARE 22GA. UNLESS OTHERWISE NOTED.

NOTE: THIS INFORMATION IS PROPRIETARY, WAS DEVELOPED AT THE PRIVATE EXPENSE OF SPARTANICS, IS COVERED BY PATENTS, AND IS THE EXCLUSIVE PROPERTY OF SPARTANICS, ROLLING MEADOWS, ILLINOIS, USA. INFORMATION IS NOT TO BE USED FOR ANY OTHER PURPOSE EXCEPT FOR REQUIRED MAINTENANCE AND REPAIR OF SPARTANICS EQUIPMENT WITHOUT THE EXPRESS WRITTEN PERMISSION OF SPARTANICS, ROLLING MEADOWS, IL USA

UNLESS OTHERWISE NOTED: ALL RESISTORS ARE SPECIFIED IN OHMS 1/4 WATT 5% TOLERANCE ALL CAPACITORS ARE SPECIFIED IN uF	<b>SPARTANICS</b> 3605 EDISON PL ROLLING MEADOWS, IL 60008
DRAWN BY: DATE: 03-27-98 CHECKED BY: DATE:	PART NAME: <b>SCH, CONTROLLER HOUSING</b> DRAWING NO: <b>34-7001CE-0</b> SHEET: <b>1 OF 1</b>