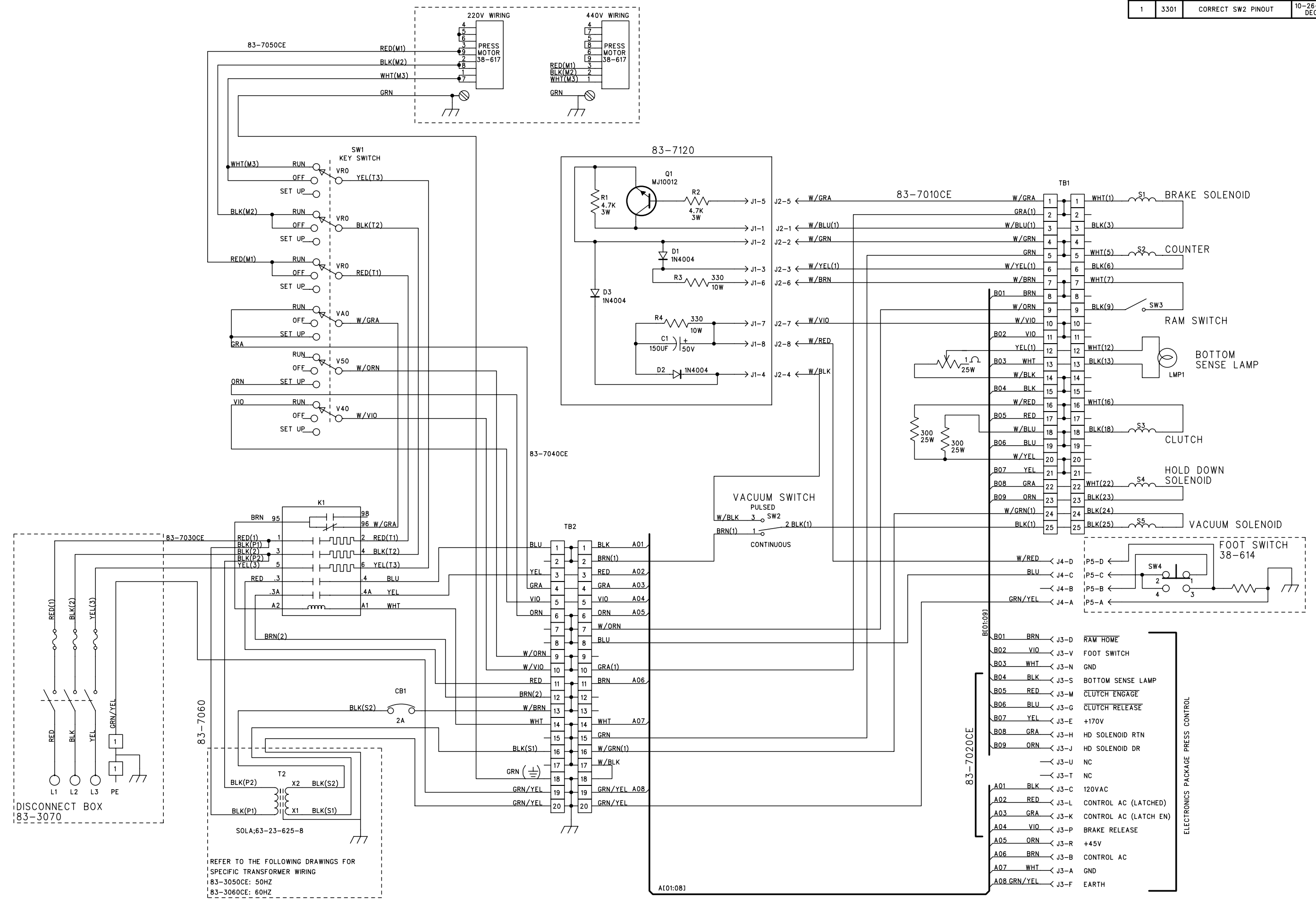


REV	ECO	DESCRIPTION	DATE
0	----	CREATED	07-10-97 KAJ
1	3301	CORRECT SW2 PINOUT	10-26-99 DEC



REFER TO THE FOLLOWING DRAWINGS FOR SPECIFIC TRANSFORMER WIRING
 83-3050CE: 50HZ
 83-3060CE: 60HZ

UNLESS OTHERWISE NOTED:
 ALL RESISTORS ARE SPECIFIED IN OHMS
 1/4 WATT 5% TOLERANCE
 ALL CAPACITORS ARE SPECIFIED IN uF

SPARTANICS
 3605 EDISON PL
 ROLLING MEADOWS, IL 60008

NOTE: THIS INFORMATION IS PROPRIETARY, WAS DEVELOPED AT THE PRIVATE EXPENSE OF SPARTANICS, IS COVERED BY PATENTS, AND IS THE EXCLUSIVE PROPERTY OF SPARTANICS, ROLLING MEADOWS, ILLINOIS, USA. INFORMATION IS NOT TO BE USED FOR ANY OTHER PURPOSE EXCEPT FOR REQUIRED MAINTENANCE AND REPAIR OF SPARTANICS EQUIPMENT WITHOUT THE EXPRESS WRITTEN PERMISSION OF SPARTANICS, ROLLING MEADOWS, IL, USA.

PART NAME:
SCHEM, MOTOR STARTER BOX
 DRAWN BY: KAJ DATE: 07-10-97
 CHECKED BY: DATE:
 DRAWING NO: **83-7001CE-1** SHEET: 1 OF 1